

## On-Premises 50-lb Tumble Dryer



Our single-pocket tumble dryers\* feature concentrated airflow and sealed cylinder rims to ensure energy savings. This superior drying performance helps laundries maximize throughput to meet the daily workload every time. Our tumble dryers are designed with fewer moving parts, so you'll face less maintenance and wear and tear.

### Efficient

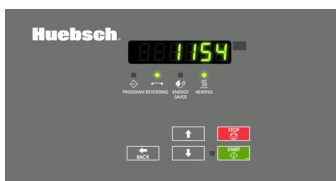
High-performance heater box increases energy efficiency and reduces drying times to help on-premises laundries increase throughput, while decreasing operating costs.

### Spacesaver

The 55 lb (24.9 kg) capacity model fits through a 36 in (914 mm) door opening and is 10 in (251 mm) shorter than our 50 lb (22.7 kg) unit, making it an option for laundries with limited space.

### Performance

Available in 25 lb, 30 lb, 35 lb, 50 lb, 55 lb, 75 lb, 120 lb, 170 lb and 200 lb capacities, there's a tumble dryer to meet the needs of any on-premises laundry.



### Galaxy™

The Galaxy Control offers the flexibility of 30 programmable cycles combined with the accuracy of our moisture-sensing technology saving time and energy increasing the life of your linens, saving time and energy.

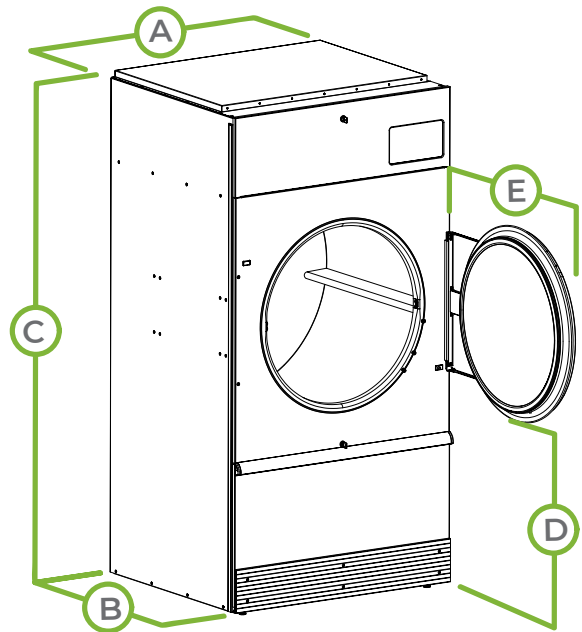


### Dual Digital

With features including one-touch cycle repeat, automatic extended tumble and a large digital countdown display, it's simple to set your drying time, temperature and cool down with the Dual Digital Control.

## On-Premises 50-lb Tumble Dryer Specifications

MODEL		HT050	
CONTROL OPTION		Galaxy, Dual Digital	
CAPACITY - lb (kg)		50 (23)	
OVERALL WIDTH - in (mm)		38.5 (980)	
OVERALL DEPTH - in (mm)		46.8 (1190)	
OVERALL HEIGHT - in (mm)		77.3 (1960)	
CYLINDER DIAMETER - in (mm)		37 (940)	
CYLINDER DEPTH - in (mm)		30 (762)	
CYLINDER VOLUME - cu. ft. (liters)		18.7 (530)	
DOOR OPENING SIZE - in (mm)		26.9 (683)	
ENERGY DATA	Gas Models - Per Pocket	130,000 Btu/hr	
	Steam Models - Per Pocket	113,600 Btu/hr	
	Electric Models	30kW	
GAS CONNECTIONS - in (npt)		0.5	
PLUMBING CONNECTIONS - STEAM - in (npt)		0.75	
AIR OUTLET - in (mm)		8 (200)	
MOTOR -hp	Fan	0.5	
	Cylinder	0.5	
AIRFLOW - cfm		700	
ELECTRICAL SPECS - amps	Gas & Steam		
	B	100-120V/50/60/1	9
	X	200-240V/50/60/1/3	6
	N	440-480V/50/60/3	3
	P	380-415V/50/60/3	3
	Electric		
	E	230-240V/50/60/1	91
	F	200-208V/50/60/3	87
	G	230-240V/50/60/3	75
	H	380V/50/60/3	47
	J	400-415V/50/60/3	43
	K	440V/50/60/3	41
	L	460-480V/50/60/3	38
SHIPPING DIMENSIONS APPROX. - in (mm)	Width	41.5 (1050)	
	Depth	50 (1270)	
	Height	Gas & Electric - 81 (2060) Steam - 83.5 (2120)	
NET WEIGHT - lb (kg)	Gas	650 (295)	
	Electric	690 (315)	
	Steam	680 (310)	
SHIPPING WEIGHT - lb (kg)	Gas	700 (320)	
	Electric	740 (335)	
	Steam	730 (330)	
AGENCY APPROVALS		CSA	



MODEL	HT050
A. OVERALL WIDTH - in (mm)	38.5 (980)
B. *OVERALL DEPTH - in (mm)	46.8 (1190)
C. OVERALL HEIGHT - in (mm)	77.3 (1960)
D. DOOR BOTTOM TO FLOOR - in (mm)	29.2 (740)
E. DOOR SWING - in (mm)	33.9 (860)

Tumble dryer models are made to suit a variety of electrical service characteristics. See your Huebsch distributor for specifications. For further details on installation, refer to Installation, Operation and Maintenance instructions supplied with the tumble dryer. Amperage ratings available in Installation Manual.

For the most accurate information, the installation guide should be used for all design and construction purposes. Due to continuous product improvements, design and specifications subject to change without notice. The quality management system of Alliance Laundry Systems has been registered to ISO 9001.